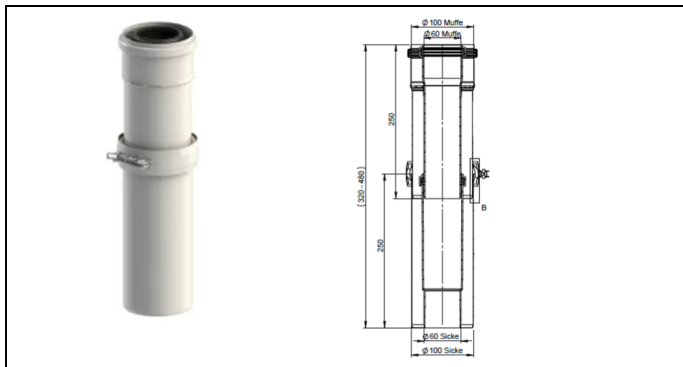


Maßtabelle

LAS-System (PP/Stahl weiß)

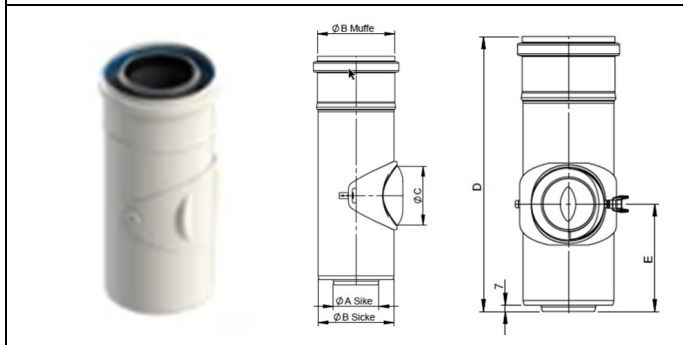
Konzentrische Abgasanlage / VBL
Für den Innenbereich
LAS (PP / Stahl weiß)
mit zylindrischer Steckverbindung,
Innenrohr PP 2,00 mm inkl. Dichtungen
Außenrohr eloverzinkt 0,5 mm,
pulverbeschichtet weiß (RAL 9016)





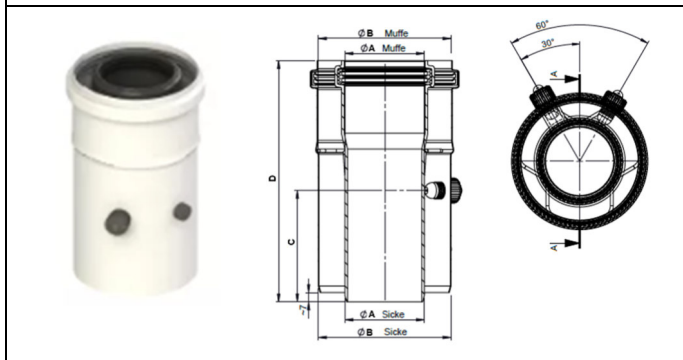
Schiebeelement, Länge 320 - 480 mm,
Nutzlänge: 315 – 445 mm

D60 / 100 mm
D80 / 125 mm
D100 / 150 mm
D110 / 160 mm



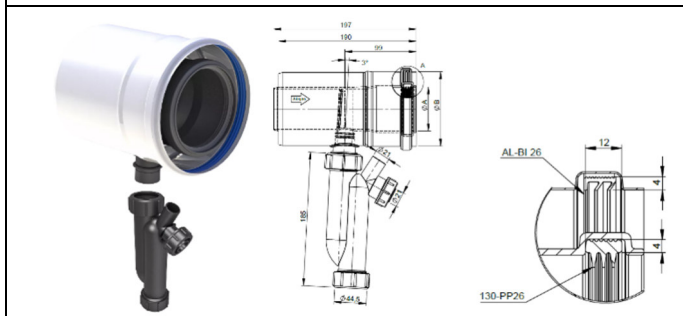
Reinigungselement

| Ø | 060/100 | 080/125 | 100/150 | 110/160 |
|----|---------|---------|---------|---------|
| A | 60 | 80 | 100 | 110 |
| B | 100 | 125 | 150 | 160 |
| C | 80 | 89 | 130 | |
| D | 302 | 250 | 375 | 377 |
| E | 118 | 131,5 | 142 | 147,5 |
| NL | 242 | 190 | 315 | 317 |



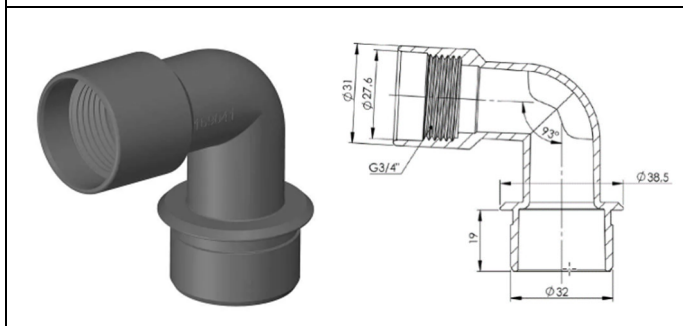
Messelement

| Ø | 060/100 | 080/125 | 100/150 | 110/160 |
|----|---------|---------|---------|---------|
| A | 60 | 80 | 100 | 110 |
| B | 100 | 125 | 150 | 160 |
| C | 84 | | | |
| D | 182 | 184 | 182 | 182 |
| NL | 122 | 124 | 122 | 122 |



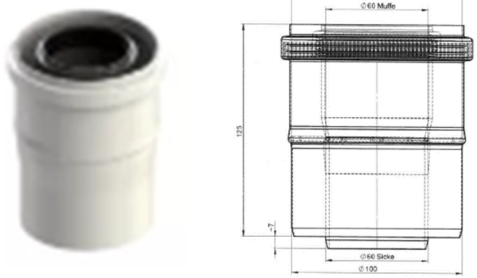
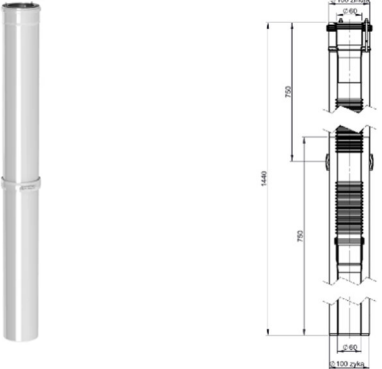
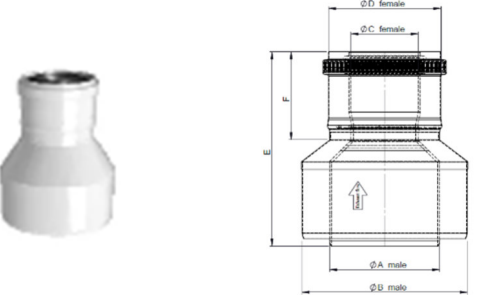
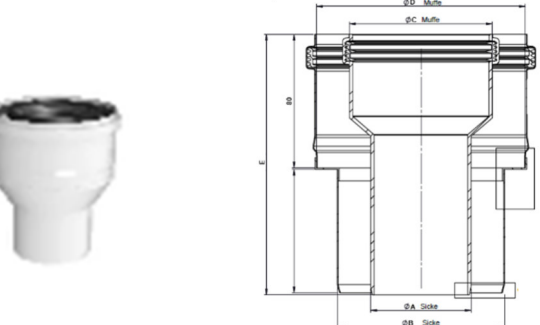
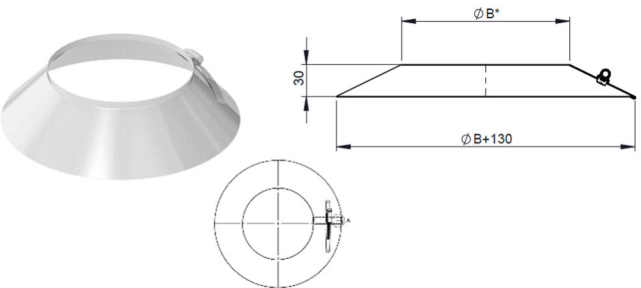
Kondensatablaufelement, inkl. Siphon
(für horizontalen Einbau), Nutzlänge: 137 mm

| Ø | 60/100 | 80/125 | 100/150 | 110/160 |
|----|--------|--------|---------|---------|
| A | 60 | 80 | 100 | 110 |
| B | 100 | 125 | 150 | 160 |
| kg | 0,40 | 0,5 | 0,6 | 0,65 |



Umlenkwinkel 90° für Kunststoff-Siphon

| | <p>Winkel "30°"</p> <table border="1"> <thead> <tr> <th>Ø</th> <th>060/100</th> <th>080/125</th> <th>100/150</th> <th>110/160</th> </tr> </thead> <tbody> <tr><td>A</td><td>60</td><td>80</td><td>100</td><td>110</td></tr> <tr><td>B</td><td>100</td><td>125</td><td>150</td><td>160</td></tr> <tr><td>C</td><td>142</td><td>162</td><td>142</td><td>131</td></tr> <tr><td>D</td><td>18</td><td>21</td><td>14</td><td>17</td></tr> <tr><td>E</td><td>110</td><td>125</td><td>117</td><td>101</td></tr> <tr><td>F</td><td>103</td><td>110</td><td>96</td><td>101</td></tr> <tr><td>G</td><td>97</td><td>108</td><td>97</td><td>80</td></tr> <tr><td>H</td><td>90</td><td>93</td><td>76</td><td>80</td></tr> </tbody> </table> | Ø | 060/100 | 080/125 | 100/150 | 110/160 | A | 60 | 80 | 100 | 110 | B | 100 | 125 | 150 | 160 | C | 142 | 162 | 142 | 131 | D | 18 | 21 | 14 | 17 | E | 110 | 125 | 117 | 101 | F | 103 | 110 | 96 | 101 | G | 97 | 108 | 97 | 80 | H | 90 | 93 | 76 | 80 |
|---|--|---------|---------|---------|---------|---------|---|----|----|-----|-----|---|-----|-----|-----|-----|---|-----|------|-----|-----|---|-----|-----|-----|-----|---|-----|------|-----|-----|---|-----|-----|-----|-----|---|----|-----|----|----|---|----|----|----|----|
| Ø | 060/100 | 080/125 | 100/150 | 110/160 | | | | | | | | | | | | | | | | | | | | | | | | | | | | | | | | | | | | | | | | | | |
| A | 60 | 80 | 100 | 110 | | | | | | | | | | | | | | | | | | | | | | | | | | | | | | | | | | | | | | | | | | |
| B | 100 | 125 | 150 | 160 | | | | | | | | | | | | | | | | | | | | | | | | | | | | | | | | | | | | | | | | | | |
| C | 142 | 162 | 142 | 131 | | | | | | | | | | | | | | | | | | | | | | | | | | | | | | | | | | | | | | | | | | |
| D | 18 | 21 | 14 | 17 | | | | | | | | | | | | | | | | | | | | | | | | | | | | | | | | | | | | | | | | | | |
| E | 110 | 125 | 117 | 101 | | | | | | | | | | | | | | | | | | | | | | | | | | | | | | | | | | | | | | | | | | |
| F | 103 | 110 | 96 | 101 | | | | | | | | | | | | | | | | | | | | | | | | | | | | | | | | | | | | | | | | | | |
| G | 97 | 108 | 97 | 80 | | | | | | | | | | | | | | | | | | | | | | | | | | | | | | | | | | | | | | | | | | |
| H | 90 | 93 | 76 | 80 | | | | | | | | | | | | | | | | | | | | | | | | | | | | | | | | | | | | | | | | | | |
| | <p>Winkel "45°"</p> <table border="1"> <thead> <tr> <th>Ø</th> <th>060/100</th> <th>080/125</th> <th>100/150</th> <th>110/160</th> </tr> </thead> <tbody> <tr><td>A</td><td>60</td><td>80</td><td>100</td><td>110</td></tr> <tr><td>B</td><td>100</td><td>125</td><td>150</td><td>160</td></tr> <tr><td>C</td><td>125</td><td>155</td><td>156</td><td>146</td></tr> <tr><td>D</td><td>24</td><td>30</td><td>30</td><td>33</td></tr> <tr><td>E</td><td>101</td><td>125</td><td>125</td><td>113</td></tr> <tr><td>F</td><td>101</td><td>110</td><td>110</td><td>113</td></tr> <tr><td>G</td><td>80</td><td>99</td><td>94</td><td>80</td></tr> <tr><td>H</td><td>80</td><td>84</td><td>79</td><td>80</td></tr> </tbody> </table> | Ø | 060/100 | 080/125 | 100/150 | 110/160 | A | 60 | 80 | 100 | 110 | B | 100 | 125 | 150 | 160 | C | 125 | 155 | 156 | 146 | D | 24 | 30 | 30 | 33 | E | 101 | 125 | 125 | 113 | F | 101 | 110 | 110 | 113 | G | 80 | 99 | 94 | 80 | H | 80 | 84 | 79 | 80 |
| Ø | 060/100 | 080/125 | 100/150 | 110/160 | | | | | | | | | | | | | | | | | | | | | | | | | | | | | | | | | | | | | | | | | | |
| A | 60 | 80 | 100 | 110 | | | | | | | | | | | | | | | | | | | | | | | | | | | | | | | | | | | | | | | | | | |
| B | 100 | 125 | 150 | 160 | | | | | | | | | | | | | | | | | | | | | | | | | | | | | | | | | | | | | | | | | | |
| C | 125 | 155 | 156 | 146 | | | | | | | | | | | | | | | | | | | | | | | | | | | | | | | | | | | | | | | | | | |
| D | 24 | 30 | 30 | 33 | | | | | | | | | | | | | | | | | | | | | | | | | | | | | | | | | | | | | | | | | | |
| E | 101 | 125 | 125 | 113 | | | | | | | | | | | | | | | | | | | | | | | | | | | | | | | | | | | | | | | | | | |
| F | 101 | 110 | 110 | 113 | | | | | | | | | | | | | | | | | | | | | | | | | | | | | | | | | | | | | | | | | | |
| G | 80 | 99 | 94 | 80 | | | | | | | | | | | | | | | | | | | | | | | | | | | | | | | | | | | | | | | | | | |
| H | 80 | 84 | 79 | 80 | | | | | | | | | | | | | | | | | | | | | | | | | | | | | | | | | | | | | | | | | | |
| | <p>Winkel "87°"</p> <table border="1"> <thead> <tr> <th>Ø</th> <th>060/100</th> <th>080/125</th> <th>100/150</th> <th>110/160</th> </tr> </thead> <tbody> <tr><td>A</td><td>60</td><td>80</td><td>100</td><td>110</td></tr> <tr><td>B</td><td>100</td><td>125</td><td>150</td><td>160</td></tr> <tr><td>C</td><td>80</td><td>74</td><td>77</td><td>80</td></tr> <tr><td>D</td><td>80</td><td>88</td><td>92</td><td>80</td></tr> </tbody> </table> | Ø | 060/100 | 080/125 | 100/150 | 110/160 | A | 60 | 80 | 100 | 110 | B | 100 | 125 | 150 | 160 | C | 80 | 74 | 77 | 80 | D | 80 | 88 | 92 | 80 | | | | | | | | | | | | | | | | | | | | |
| Ø | 060/100 | 080/125 | 100/150 | 110/160 | | | | | | | | | | | | | | | | | | | | | | | | | | | | | | | | | | | | | | | | | | |
| A | 60 | 80 | 100 | 110 | | | | | | | | | | | | | | | | | | | | | | | | | | | | | | | | | | | | | | | | | | |
| B | 100 | 125 | 150 | 160 | | | | | | | | | | | | | | | | | | | | | | | | | | | | | | | | | | | | | | | | | | |
| C | 80 | 74 | 77 | 80 | | | | | | | | | | | | | | | | | | | | | | | | | | | | | | | | | | | | | | | | | | |
| D | 80 | 88 | 92 | 80 | | | | | | | | | | | | | | | | | | | | | | | | | | | | | | | | | | | | | | | | | | |
| | <p>Winkel "87°" mit Reinigung</p> <table border="1"> <thead> <tr> <th>Ø</th> <th>060/100</th> <th>080/125</th> <th>100/150</th> <th>110/160</th> </tr> </thead> <tbody> <tr><td>A</td><td>60</td><td>80</td><td>100</td><td>110</td></tr> <tr><td>B</td><td>100</td><td>125</td><td>150</td><td>160</td></tr> <tr><td>C</td><td>80</td><td>78,5</td><td>80</td><td></td></tr> <tr><td>D</td><td>80</td><td>87</td><td>80</td><td></td></tr> <tr><td>E</td><td>30</td><td>12,5</td><td>35</td><td></td></tr> <tr><td>F</td><td>80</td><td></td><td>130</td><td></td></tr> </tbody> </table> | Ø | 060/100 | 080/125 | 100/150 | 110/160 | A | 60 | 80 | 100 | 110 | B | 100 | 125 | 150 | 160 | C | 80 | 78,5 | 80 | | D | 80 | 87 | 80 | | E | 30 | 12,5 | 35 | | F | 80 | | 130 | | | | | | | | | | | |
| Ø | 060/100 | 080/125 | 100/150 | 110/160 | | | | | | | | | | | | | | | | | | | | | | | | | | | | | | | | | | | | | | | | | | |
| A | 60 | 80 | 100 | 110 | | | | | | | | | | | | | | | | | | | | | | | | | | | | | | | | | | | | | | | | | | |
| B | 100 | 125 | 150 | 160 | | | | | | | | | | | | | | | | | | | | | | | | | | | | | | | | | | | | | | | | | | |
| C | 80 | 78,5 | 80 | | | | | | | | | | | | | | | | | | | | | | | | | | | | | | | | | | | | | | | | | | | |
| D | 80 | 87 | 80 | | | | | | | | | | | | | | | | | | | | | | | | | | | | | | | | | | | | | | | | | | | |
| E | 30 | 12,5 | 35 | | | | | | | | | | | | | | | | | | | | | | | | | | | | | | | | | | | | | | | | | | | |
| F | 80 | | 130 | | | | | | | | | | | | | | | | | | | | | | | | | | | | | | | | | | | | | | | | | | | |
| | <p>T-Stück 87° mit Revisionsdeckel und integriertem Kesselanschluss, Abgang "gleich"</p> <table border="1"> <thead> <tr> <th>Ø</th> <th>060/100</th> <th>080/125</th> <th>100/150</th> <th>110/160</th> </tr> </thead> <tbody> <tr><td>A</td><td>60</td><td>80</td><td>100</td><td>110</td></tr> <tr><td>B</td><td>100</td><td>125</td><td>150</td><td>160</td></tr> <tr><td>C</td><td>220</td><td>245</td><td>270</td><td>280</td></tr> <tr><td>D</td><td>124</td><td>136</td><td>149</td><td>154</td></tr> <tr><td>E</td><td>142</td><td>154</td><td>166</td><td>171</td></tr> </tbody> </table> | Ø | 060/100 | 080/125 | 100/150 | 110/160 | A | 60 | 80 | 100 | 110 | B | 100 | 125 | 150 | 160 | C | 220 | 245 | 270 | 280 | D | 124 | 136 | 149 | 154 | E | 142 | 154 | 166 | 171 | | | | | | | | | | | | | | | |
| Ø | 060/100 | 080/125 | 100/150 | 110/160 | | | | | | | | | | | | | | | | | | | | | | | | | | | | | | | | | | | | | | | | | | |
| A | 60 | 80 | 100 | 110 | | | | | | | | | | | | | | | | | | | | | | | | | | | | | | | | | | | | | | | | | | |
| B | 100 | 125 | 150 | 160 | | | | | | | | | | | | | | | | | | | | | | | | | | | | | | | | | | | | | | | | | | |
| C | 220 | 245 | 270 | 280 | | | | | | | | | | | | | | | | | | | | | | | | | | | | | | | | | | | | | | | | | | |
| D | 124 | 136 | 149 | 154 | | | | | | | | | | | | | | | | | | | | | | | | | | | | | | | | | | | | | | | | | | |
| E | 142 | 154 | 166 | 171 | | | | | | | | | | | | | | | | | | | | | | | | | | | | | | | | | | | | | | | | | | |

|  | <p>Kesselanschluss, Abgang "gleich" (konzentrisch), Nutzlänge: 65 mm</p> <p>D60 / 100 mm D80 / 125 mm D100 / 150 mm D110 / 160 mm</p> | | | | | | | | | | | | | | | | | | | | | | | | | | | | | | | | | | | | | | | | | | | | | | | | | | | | | | | | |
|---|--|--------------------|--------------------|--------------------|---------------------|---------------------|---------------------|---------------------|-----|-----|-----|----|-----|---|-----|-----|-----|-----|-----|-----|-----|----|-----|-----|-----|----|-----|-----|-----|-----|-----|---|-----|-----|-----|-----|-----|-----|-----|----|-----|-----|-----|---|----|----|--|----|--|--|----|-----|--|-----|--|-----|--|
|  | <p>Teleskopkompensator, GL1440 mm (zur Aufnahme von Längsdehnungen), bei Versätzen erforderlich, Nutzlänge: 1380 mm</p> <p>D80 / 125 mm D100 / 150 mm D110 / 160 mm</p> | | | | | | | | | | | | | | | | | | | | | | | | | | | | | | | | | | | | | | | | | | | | | | | | | | | | | | | | |
|  | <p>Reduzierung konzentrisch</p> <table border="1" data-bbox="799 1061 1417 1317"> <thead> <tr> <th></th> <th>80/125- 60/100</th> <th>100/150- 60/100</th> <th>100/150- 80/125</th> <th>110/160- 60/100</th> <th>110/160- 80/125</th> <th>110/160- 100/150</th> </tr> </thead> <tbody> <tr> <td>A</td> <td>80</td> <td colspan="2">100</td> <td colspan="3">110</td> </tr> <tr> <td>B</td> <td>125</td> <td colspan="2">150</td> <td colspan="3">160</td> </tr> <tr> <td>C</td> <td colspan="2">60</td> <td>80</td> <td>60</td> <td>80</td> <td>100</td> </tr> <tr> <td>D</td> <td colspan="2">100</td> <td>125</td> <td>100</td> <td>125</td> <td>150</td> </tr> <tr> <td>E</td> <td>130</td> <td colspan="2">177</td> <td>187</td> <td>177</td> <td>170</td> </tr> <tr> <td>F</td> <td>50</td> <td colspan="2">80</td> <td colspan="3">80</td> </tr> <tr> <td>NL</td> <td colspan="2">110</td> <td colspan="2">120</td> <td colspan="2">110</td> </tr> </tbody> </table> | | 80/125- 60/100 | 100/150- 60/100 | 100/150- 80/125 | 110/160- 60/100 | 110/160- 80/125 | 110/160- 100/150 | A | 80 | 100 | | 110 | | | B | 125 | 150 | | 160 | | | C | 60 | | 80 | 60 | 80 | 100 | D | 100 | | 125 | 100 | 125 | 150 | E | 130 | 177 | | 187 | 177 | 170 | F | 50 | 80 | | 80 | | | NL | 110 | | 120 | | 110 | |
| | 80/125- 60/100 | 100/150- 60/100 | 100/150- 80/125 | 110/160- 60/100 | 110/160- 80/125 | 110/160- 100/150 | | | | | | | | | | | | | | | | | | | | | | | | | | | | | | | | | | | | | | | | | | | | | | | | | | | |
| A | 80 | 100 | | 110 | | | | | | | | | | | | | | | | | | | | | | | | | | | | | | | | | | | | | | | | | | | | | | | | | | | | | |
| B | 125 | 150 | | 160 | | | | | | | | | | | | | | | | | | | | | | | | | | | | | | | | | | | | | | | | | | | | | | | | | | | | | |
| C | 60 | | 80 | 60 | 80 | 100 | | | | | | | | | | | | | | | | | | | | | | | | | | | | | | | | | | | | | | | | | | | | | | | | | | | |
| D | 100 | | 125 | 100 | 125 | 150 | | | | | | | | | | | | | | | | | | | | | | | | | | | | | | | | | | | | | | | | | | | | | | | | | | | |
| E | 130 | 177 | | 187 | 177 | 170 | | | | | | | | | | | | | | | | | | | | | | | | | | | | | | | | | | | | | | | | | | | | | | | | | | | |
| F | 50 | 80 | | 80 | | | | | | | | | | | | | | | | | | | | | | | | | | | | | | | | | | | | | | | | | | | | | | | | | | | | | |
| NL | 110 | | 120 | | 110 | | | | | | | | | | | | | | | | | | | | | | | | | | | | | | | | | | | | | | | | | | | | | | | | | | | | |
|  | <p>Erweiterung konzentrisch</p> <table border="1" data-bbox="799 1384 1453 1666"> <thead> <tr> <th>Ø</th> <th>60/100- 80/125</th> <th>70/100- 80/125</th> <th>80/125- 100/150</th> <th>80/125- 110/160</th> <th>100/150- 110/160</th> </tr> </thead> <tbody> <tr> <td>A</td> <td>60</td> <td>70</td> <td>80</td> <td>80</td> <td>100</td> </tr> <tr> <td>B</td> <td>100</td> <td>100</td> <td>125</td> <td>125</td> <td>150</td> </tr> <tr> <td>C</td> <td>80</td> <td>80</td> <td>100</td> <td>110</td> <td>110</td> </tr> <tr> <td>D</td> <td>125</td> <td>125</td> <td>150</td> <td>160</td> <td>160</td> </tr> <tr> <td>E</td> <td>156</td> <td>132</td> <td>150</td> <td>170</td> <td>150</td> </tr> <tr> <td>NL</td> <td>96</td> <td>72</td> <td>90</td> <td>84</td> <td>105</td> </tr> </tbody> </table> | Ø | 60/100- 80/125 | 70/100- 80/125 | 80/125- 100/150 | 80/125- 110/160 | 100/150- 110/160 | A | 60 | 70 | 80 | 80 | 100 | B | 100 | 100 | 125 | 125 | 150 | C | 80 | 80 | 100 | 110 | 110 | D | 125 | 125 | 150 | 160 | 160 | E | 156 | 132 | 150 | 170 | 150 | NL | 96 | 72 | 90 | 84 | 105 | | | | | | | | | | | | | | |
| Ø | 60/100- 80/125 | 70/100- 80/125 | 80/125- 100/150 | 80/125- 110/160 | 100/150- 110/160 | | | | | | | | | | | | | | | | | | | | | | | | | | | | | | | | | | | | | | | | | | | | | | | | | | | | |
| A | 60 | 70 | 80 | 80 | 100 | | | | | | | | | | | | | | | | | | | | | | | | | | | | | | | | | | | | | | | | | | | | | | | | | | | | |
| B | 100 | 100 | 125 | 125 | 150 | | | | | | | | | | | | | | | | | | | | | | | | | | | | | | | | | | | | | | | | | | | | | | | | | | | | |
| C | 80 | 80 | 100 | 110 | 110 | | | | | | | | | | | | | | | | | | | | | | | | | | | | | | | | | | | | | | | | | | | | | | | | | | | | |
| D | 125 | 125 | 150 | 160 | 160 | | | | | | | | | | | | | | | | | | | | | | | | | | | | | | | | | | | | | | | | | | | | | | | | | | | | |
| E | 156 | 132 | 150 | 170 | 150 | | | | | | | | | | | | | | | | | | | | | | | | | | | | | | | | | | | | | | | | | | | | | | | | | | | | |
| NL | 96 | 72 | 90 | 84 | 105 | | | | | | | | | | | | | | | | | | | | | | | | | | | | | | | | | | | | | | | | | | | | | | | | | | | | |
|  | <p>Wandrosette/Regenkragen, weiß (RAL 9016) Ringbreite ca. 75mm</p> <table border="1" data-bbox="799 1809 1417 1966"> <tbody> <tr> <td>Ø</td> <td>100</td> <td>125</td> <td>150</td> <td>160</td> </tr> <tr> <td>B</td> <td>100</td> <td>125</td> <td>150</td> <td>160</td> </tr> <tr> <td>C</td> <td colspan="4">30</td> </tr> <tr> <td>kg</td> <td>0,3</td> <td>0,4</td> <td>0,5</td> <td>0,5</td> </tr> </tbody> </table> | Ø | 100 | 125 | 150 | 160 | B | 100 | 125 | 150 | 160 | C | 30 | | | | kg | 0,3 | 0,4 | 0,5 | 0,5 | | | | | | | | | | | | | | | | | | | | | | | | | | | | | | | | | | | | |
| Ø | 100 | 125 | 150 | 160 | | | | | | | | | | | | | | | | | | | | | | | | | | | | | | | | | | | | | | | | | | | | | | | | | | | | | |
| B | 100 | 125 | 150 | 160 | | | | | | | | | | | | | | | | | | | | | | | | | | | | | | | | | | | | | | | | | | | | | | | | | | | | | |
| C | 30 | | | | | | | | | | | | | | | | | | | | | | | | | | | | | | | | | | | | | | | | | | | | | | | | | | | | | | | | |
| kg | 0,3 | 0,4 | 0,5 | 0,5 | | | | | | | | | | | | | | | | | | | | | | | | | | | | | | | | | | | | | | | | | | | | | | | | | | | | | |

